



Serving the Food Industry Since 1951

## Black Solid Door Back Bar Refrigerators

ITEM:	50057	50059	50061
MODEL:	BB-CN-0012-SH	BB-CN-0016-SH	BB-CN-0020-SH



### Maximize the space behind your bar with Omcan's undercounter back bar refrigerators.

Keep a wide selection of beverages conveniently chilled and ready to serve behind the bar with these undercounter back bar refrigerators. It is perfect for storing beers, ales, ciders, and other drinks. Its compact, narrow design makes it an excellent choice for establishments with limited space, while the casters provide easy mobility for cleaning and organizing kitchen.

- Stainless steel build
- Black-coated corrosion resistant vinyl
- Mobile casters for easy cleaning & relocation
- Refrigerant: Hydro-Carbon R290

Telephone: 1-800-465-0234

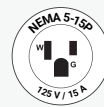
Fax: (905) 607-0234

Email: sales@omcan.com

Website: www.omcan.com



Authorized Dealer



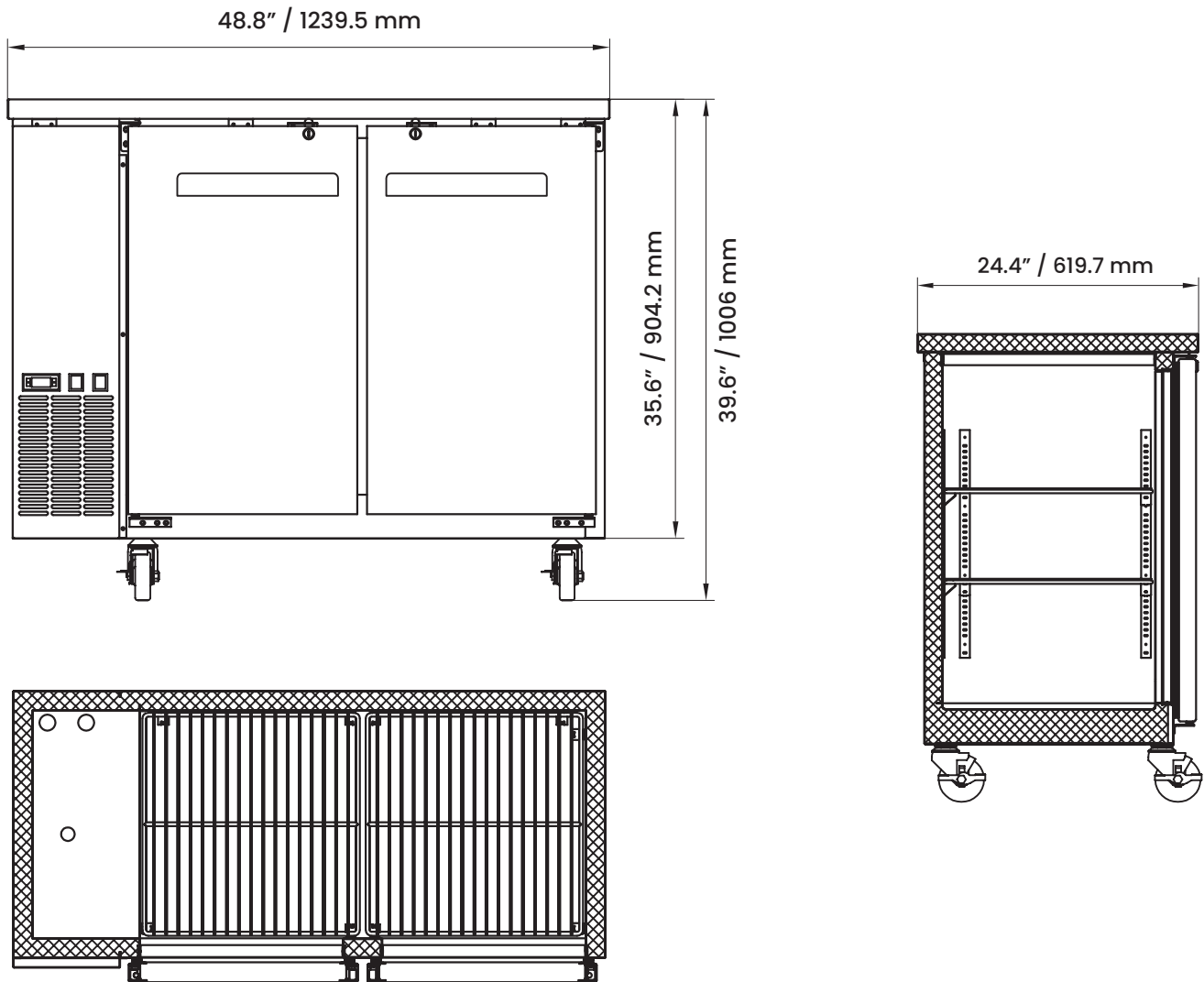
Made in China

## TECHNICAL SPECIFICATION

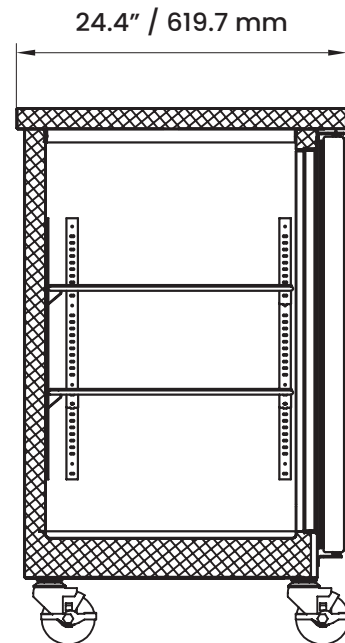
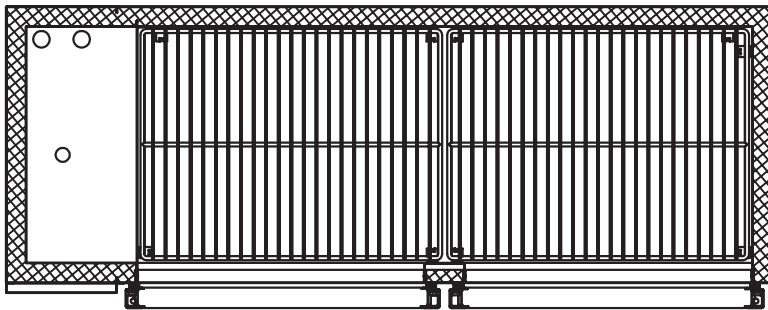
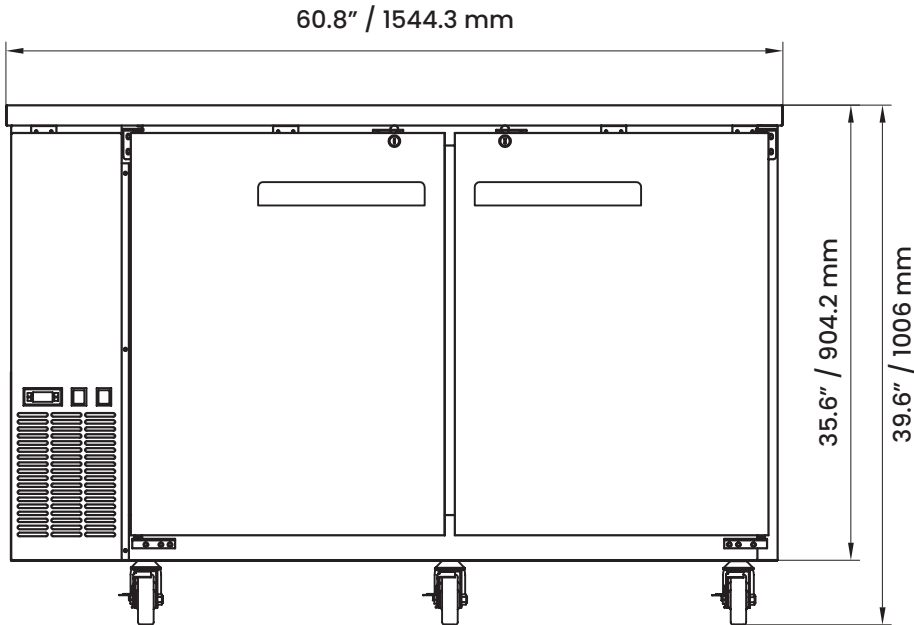
Features	49" 2 Doors, 11.2 cu. ft.	61" 2 Doors, 14.8 cu. ft.	73" 3 Doors, 18.5 cu. ft.
Item	50057	50059	50061
Model	BB-CN-0012-SH	BB-CN-0016-SH	BB-CN-0020-SH
Power	325 W		
Compressor	1/3 HP		
Temperature Range	33°F - 41°F / 0.5°C - 5°C		
Max Ambient Temp	24°C / 75°F		
Net Volume	11.2 cu. ft. / 318 L	14.8 cu. ft. / 420 L	18.5 cu. ft. / 525 L
Storage Capacity	672 x 12 oz. cans	912 x 12 oz. cans	1,152 x 12 oz. cans
	384 x 12 oz. bottles	504 x 12 oz. bottles	624 x 12 oz. bottles
	2 kegs		3 kegs
Refrigerant	R290		
Number of Shelves	4		6
Amps	3.5 A		
Electrical	110 - 120 V / 60 Hz / 1		
Interior Dimensions (WDH)	36.2" x 18.5" x 30.5" (920 x 470 x 775 mm)	48.2" x 18.5" x 30.5" (1224 x 470 x 775 mm)	60.2" x 18.5" x 30.5" (1528 x 470 x 775 mm)
Net Dimensions (WDH)	48.8" x 24.4" x 35.6" (1240 x 620 x 905 mm)	60.8" x 24.4" x 35.6" (1544 x 620 x 905 mm)	72.7" x 24.4" x 35.6" (1848 x 620 x 905 mm)
Net Weight	231.5 lb (105 kg)	275.5 lb (125 kg)	330.7 lb (150 kg)

*Dimensions rounded up to the nearest tenth inch or millimeter.  
Specifications subject to change without notice.*

## TECHNICAL DRAWING (50057)



## TECHNICAL DRAWING (50059)



## TECHNICAL DRAWING (50061)

